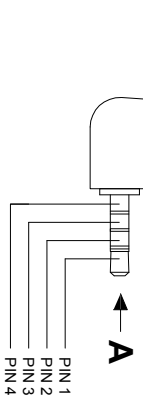
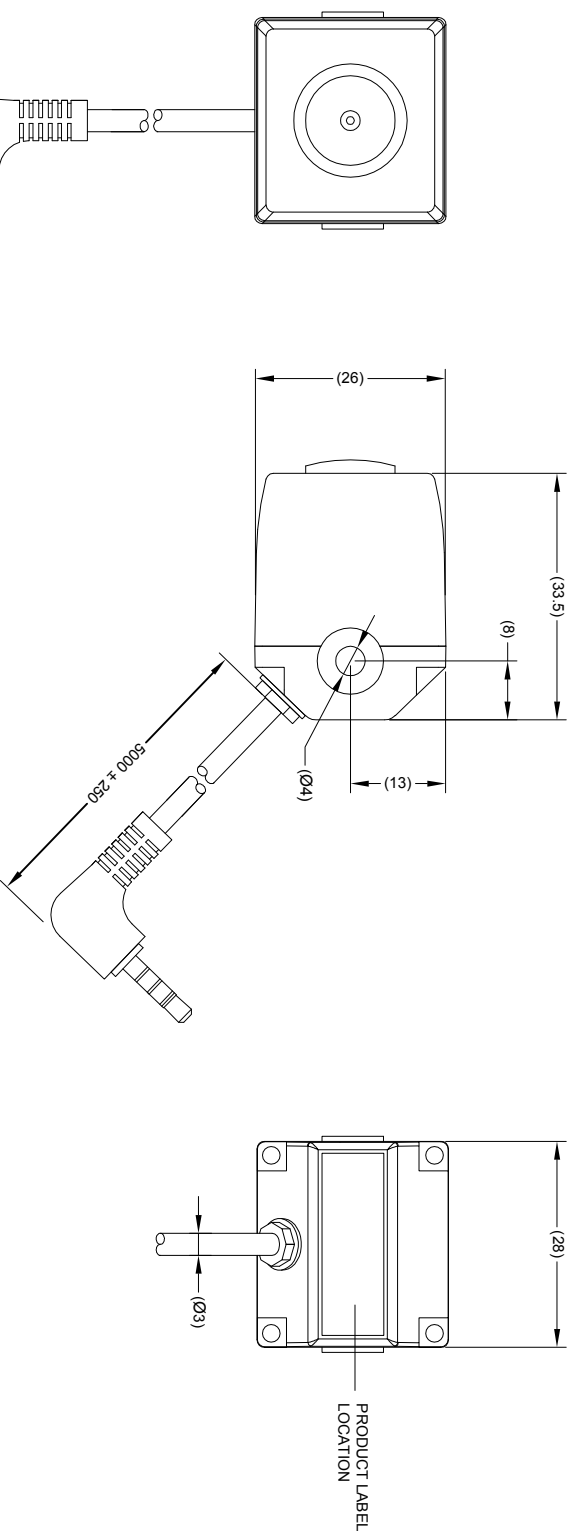
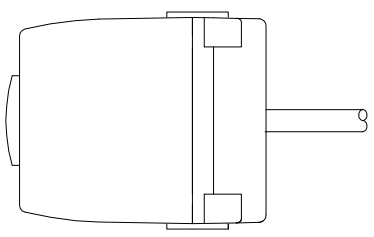


Revision Notes			
R1 -			
APR -	Drawn:-	Checked:-	Approved:-
			Date:-

VIEW A

4 PIN 2.5mm JACK MALE MATING FACE

PIN #	WIRE COLOUR	DESCRIPTION
1	RED	12V
2	N/A	NC
3	YELLOW	VIDEO
4	SHIELD	GND



NOTES:
 1. FOR PRODUCT/SERIAL NUMBER LABEL, REFER TO LATEST REVISION OF DRAWING BE-002846-XX-14.
 2. FINISH: BLACK

PROPRIETARY NOTICE
 THIS DESIGN AND TECHNICAL INFORMATION APPEARING ON THIS DRAWING IS THE PROPERTY OF BRIGADE ELECTRONICS, AND IS DISCLOSED IN CONFIDENCE. IT IS NOT TO BE COPIED, REPRODUCED, REVEALED TO OR EXPLOITED BY OTHERS, EITHER IN WHOLE OR IN PART WITHOUT THE EXPRESS WRITTEN CONSENT OF BRIGADE ELECTRONICS.

BRIGADE
 www.brigade-electronics.com

Assembly PI Approval KLEE - 25/03/14		Approved by SMATTHEWS		Checked by RBATES		Drawn by PMISSEN	
Angle of Projection Third Angle		Units mm	Scale N/A	Released 25/03/14	Assembly Ref EDR-142C-C		
Status RELEASED		Part No 4685		BE-002843-00-14			

1 2 3 4 5 6 7 8
 H G F E D C B A
 Frame V3